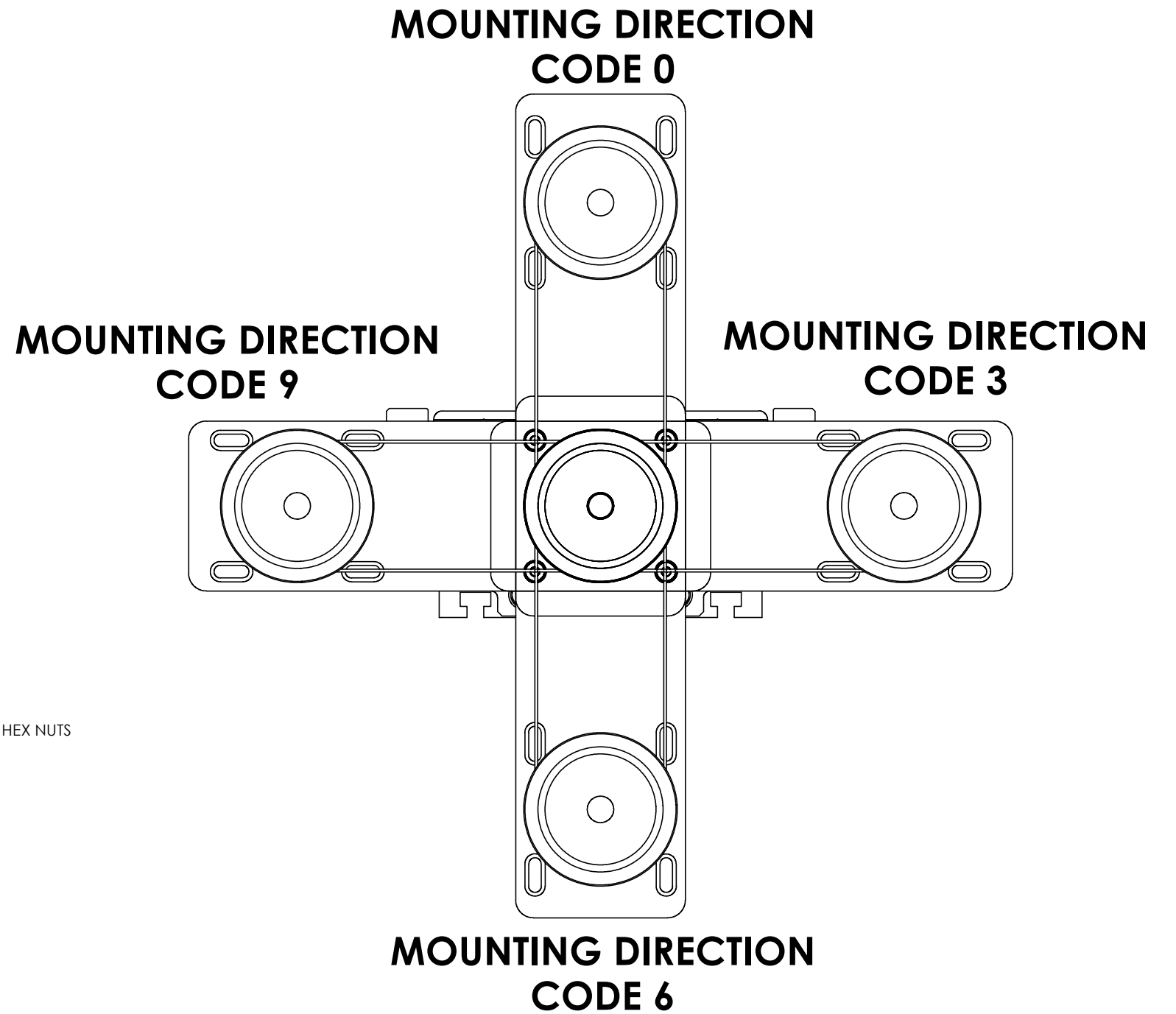


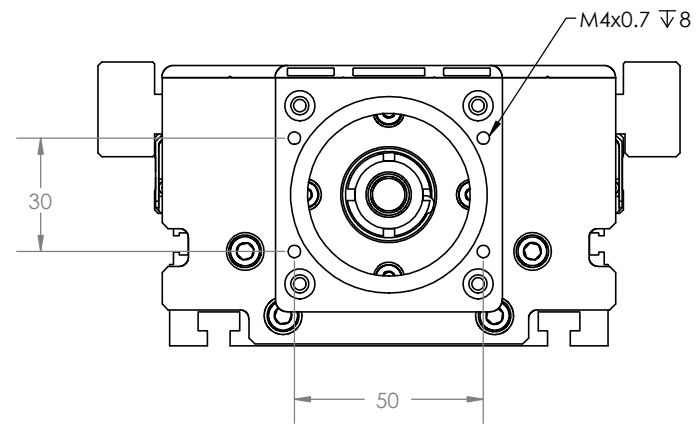
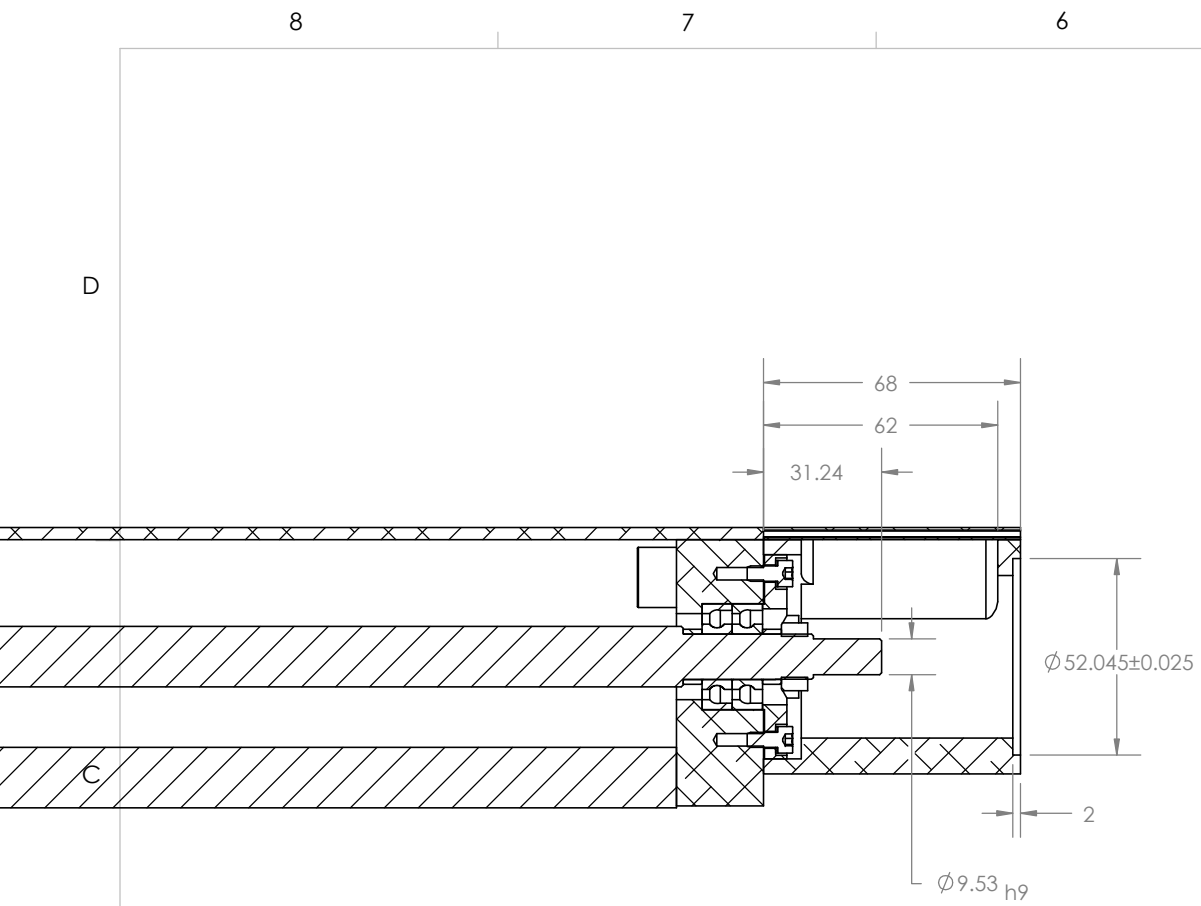


### **B3 NEMA 23 WRAP BRACKET**

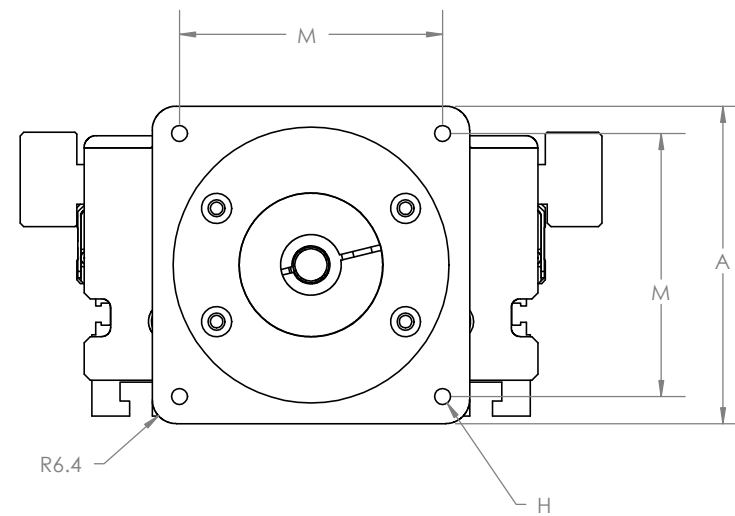
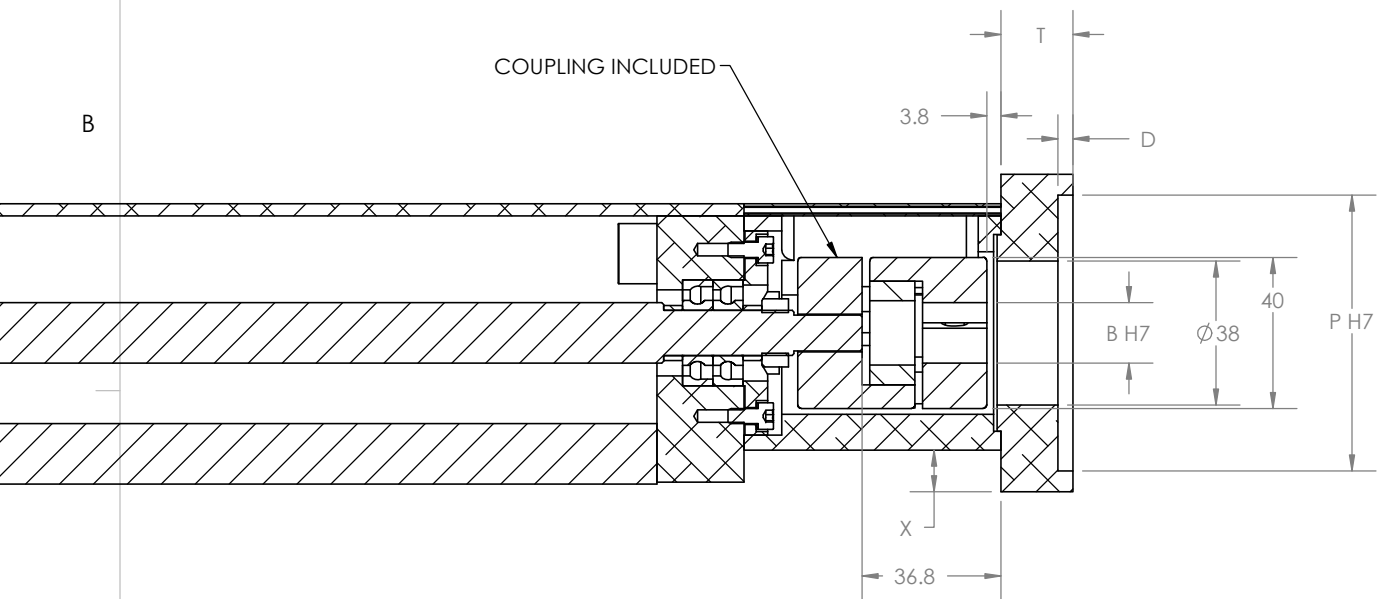
INCLUDED PULLEYS: 28-TEETH, XL  
TIMING BELT: 1/2" POLYURETHANE WITH STEEL CORE, 78 TEETH, XL





 A division of 		
SIZE <b>B</b>	DWG. NO. <b>HDS75</b>	REV
SCALE: 1:10		SHEET 4 OF 6

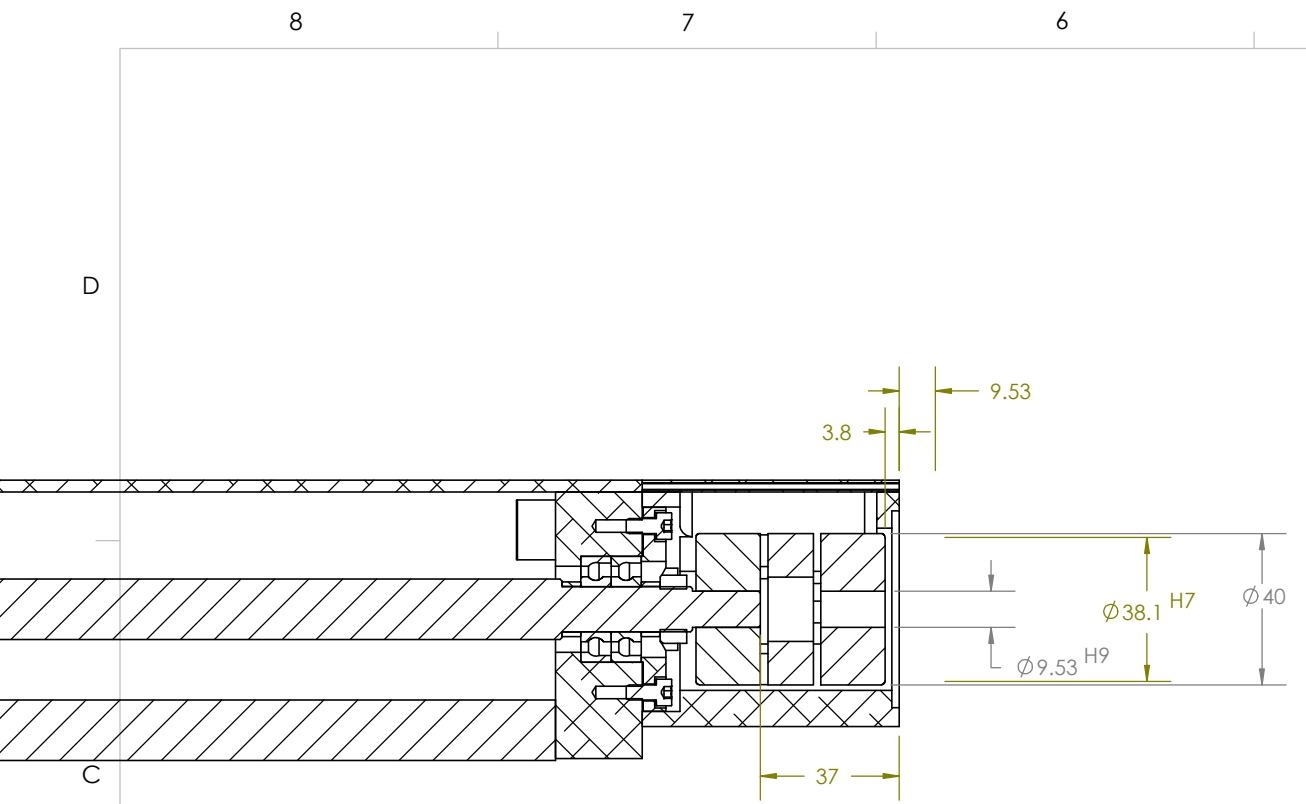


**B0**

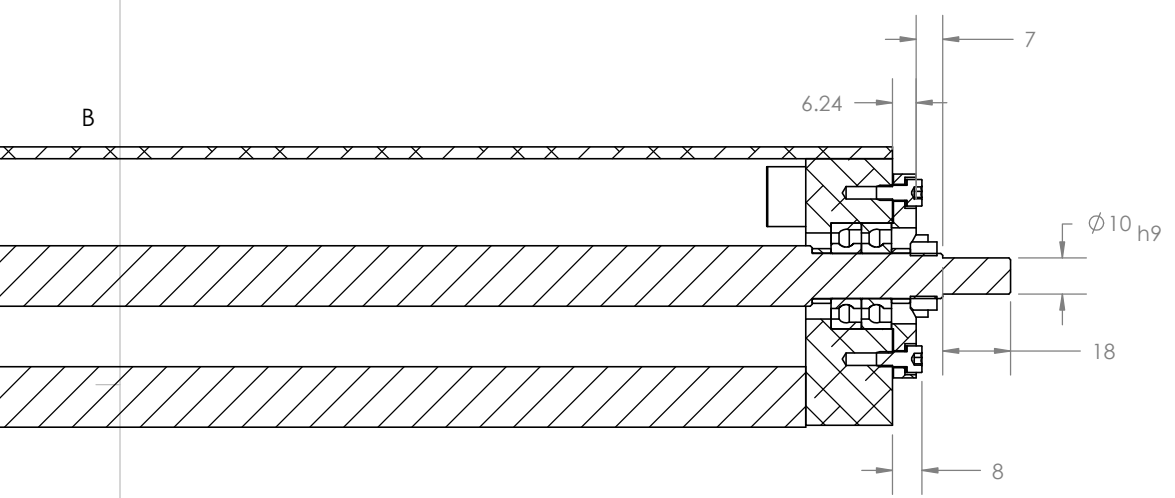
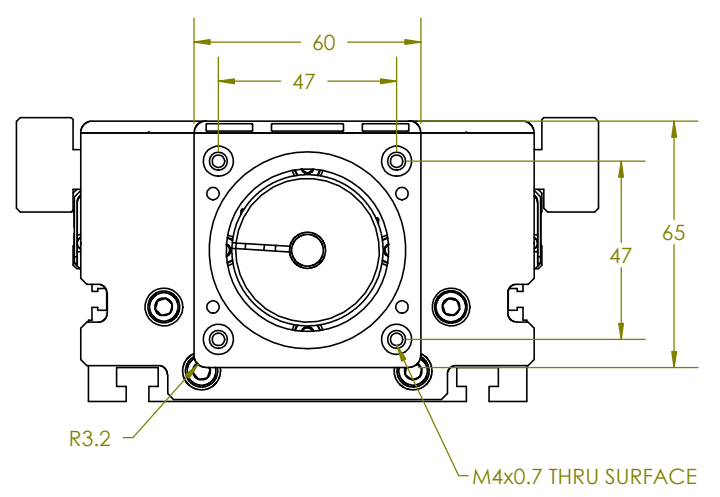


**HDS75 MOTOR FLANGES**

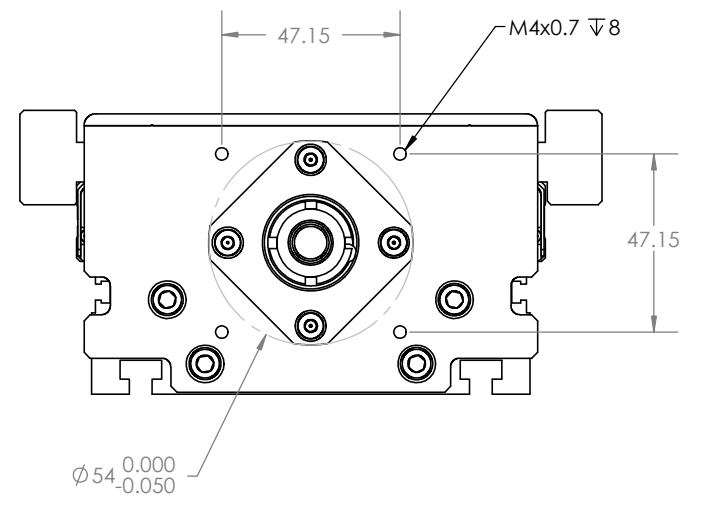
 A division of 		
SIZE	DWG. NO.	REV
<b>B</b>	<b>HDS75</b>	
SCALE: 1:10		SHEET 5 OF 6





**B2**



**R0**



 		
SIZE	DWG. NO.	REV
<b>B</b>	<b>HDS75</b>	
SCALE: 1:10		SHEET 6 OF 6